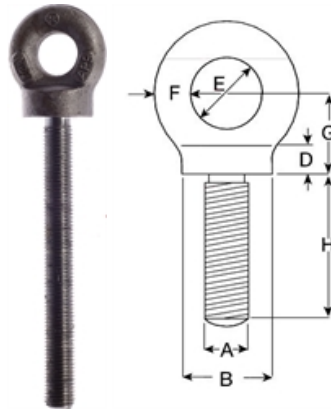


## Long Shank Collared Eyebolts Metric Thread

- Material: High tensile C1045.
- Self colour finish.
- Electro galvanised finish available on request.
- Heat treated.
- Marked with size, WLL, ID mark & CE.
- Supplied with an EC declaration of conformity.



Code	W.L.L (tonnes)	A (mm)	B (mm)	D (mm)	E (mm)	F (mm)	G (mm)	H (mm)	Weight (kgs/each)
L1601	0.25	10	22	7	15	9	19.5	178	0.18
L1602	0.40	12	28	11	15	11	24.5	178	0.25
L1604	0.80	16	36	14	20	14	32	178	0.44
L1606	1.60	20	43	17	27	16.5	38	178	0.70
L1608	2.50	24	57	19	35	22	46	178	1.05
L1609	4.00	30	71	24	48	28	64	178	2.8