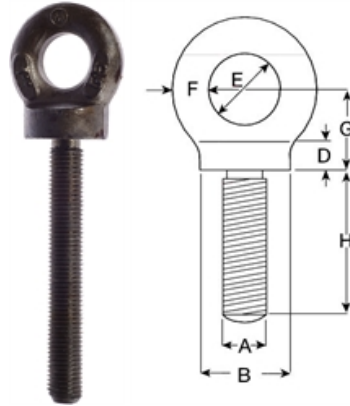


## Long Shank Collared Eyebolts Whitworth Thread

- Material: High tensile C1045.
- Self colour finish.
- Electro galvanised finish available on request.
- Heat treated.
- Marked with size, WLL, ID mark & CE.
- Supplied with an EC declaration of conformity.



Code	W.L.L tons	A inches	B inches	D inches	E inches	F inches	G inches	H inches	Weight (kgs/each)
L1501	0.25	3/8	27/32	9/32	9/16	11/32	3/4	7	0.18
L1502	0.50	1/2	11/8	3/8	3/4	7/16	1	7	0.25
L1503	0.90	5/8	113/32	15/32	15/16	9/16	11/4	7	0.44
L1504	1.40	3/4	111/16	9/16	11/8	21/32	11/2	7	0.70
L1505	2.00	7/8	131/32	21/32	15/16	25/32	13/4	7	1.05
L1506	2.75	1	21/4	3/4	11/2	7/8	2	7	1.50