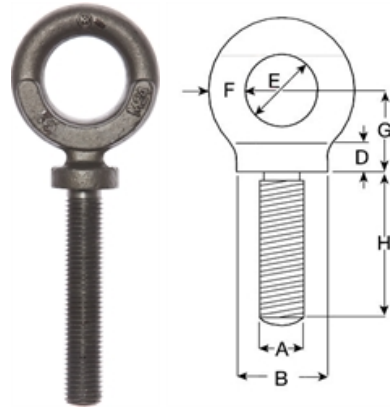


## Long Shank Dynamo Eyebolts Metric Thread

- Material: High tensile C1045.
- Self Colour finish.
- Electro Galvanised finish available on request.
- To be used for vertical lifting only.
- Marked with size, WLL, ID mark & CE.
- Supplied with an EC declaration of conformity.



### Dimensions

Code	Working Load Limit (tonnes)	A (mm)	E (mm)	F (mm)	G (mm)	H (mm)	B (mm)	D (mm)	Weight (kgs/each)
L1701	0.16	8	22	9.5	27	100	19	6	0.11
L1702	0.25	10	22	9.5	27	100	19	6	0.12
L1703	0.32	12	29	11	35	100	25	8	0.17
L1704	0.63	16	32	13	41	114	29	9.5	0.35
L1705	1.25	20	41	16	54	127	35	11	0.60
L1706	2.00	24	51	19	64	127	41	13	1.10