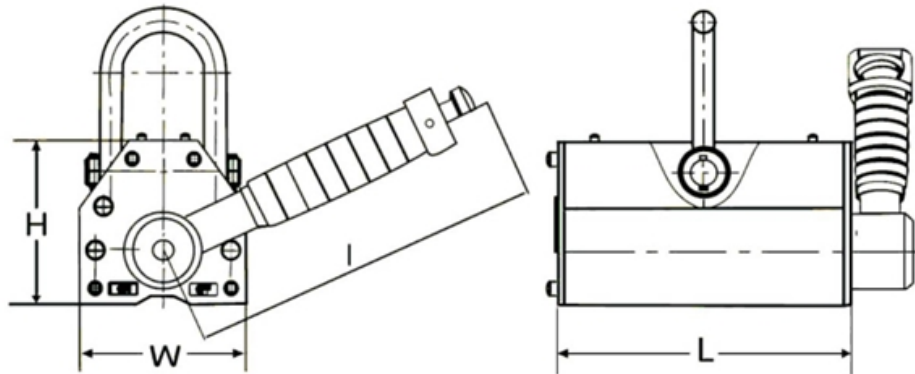
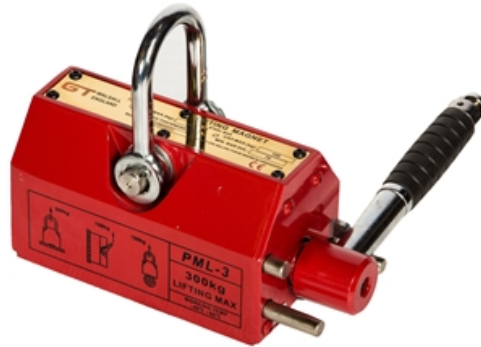


Permanent Magnetic Lifter

Permanent Magnetic Lifter for safe, easy operation and handling.

- Requires no extra power.
- Simple & quick operation.
- Designed for the lifting & handling of magnetic material.
- Conforms to EN 13155 TUV approved.
- Strong magnetic force.
- 3.5 times Safety Factor.



Code	Model	Plate Capacity (kgs)	Cylindrical Capacity (kgs)	Tear-Off Force (kgs)	L (mm)	W (mm)	H (mm)	I (mm)	Working Temperature (Degrees C)	Net Weight (kgs)
T2801	PML-1	100	30	350	92	64	70	142	-40 to +80	3
T2803	PML-3	300	100	1050	165	88	96	176	-40 to +80	10
T2806	PML-6	600	200	2100	236	118	120	219	-40 to +80	24
T2810	PML-10	1000	300	3500	264	168	168	266	-40 to +80	50
T2820	PML-20	2000	600	7000	378	230	217	462	-40 to +80	125
T2830	PML-30	3000	1000	10500	453	290	265	567	-40 to +80	220
T2850	PML-50	5000	1500	17500	647	290	265	707	-40 to +80	355
T2860	PML-60	6000	2000	19200	713	290	265	707	-40 to +80	398