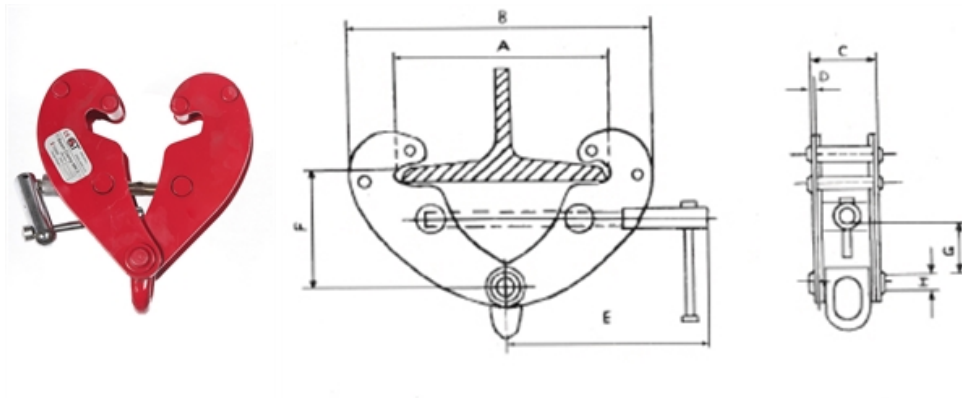


GT Adjustable Beam Clamp MKII

- Easy and simple mounting.
- Adjustable to fit a wide range of flange widths and beams.
- Heavy duty construction allows safe and secure grip in the beam.
- Special jaw design applies the load away from the flange edge, thus reducing flange stress.
- Supplied with a EC declaration of conformity and Manufacturers instructions for use guide.



Code	WLL (kgs)	Beam Range (mm)	A max (mm)	B min (mm)	B max (mm)	C (mm)	D (mm)	E (mm)	F min (mm)	F max (mm)	G min (mm)	Weight (kgs)
T1101	1000	75-220	295	185	400	80	4	225	90	165	25	3.8
T1102	2000	75-220	295	185	400	85	6	225	90	165	25	5
T1103	3000	80-320	365	240	520	117	8	258	135	225	45	9
T1104	5000	80-320	365	240	520	125	10	258	135	225	45	11
T1105	10000	90-320	365	255	520	158	12	280	160	230	50	16