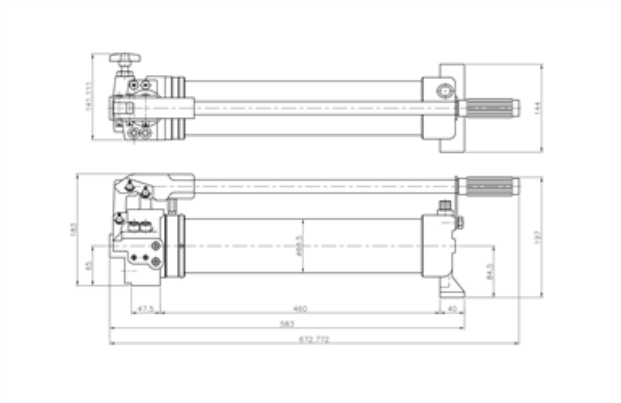


THP-2B - 2300cc

- Reservoir Capacity: 280-10000cc.
- **Volume per stroke:**
- High Pressure: 0.5-4.7 cc/stroke
- Low Pressure: 5-85 cc/stroke
- Maximum Pressure: 700 Bar



Dimensions

Model	Reservoir Capacity (cc)	Volume Per Stroke (cc)		Piston Dia. (mm)		Piston Stroke (mm)	Weight (kg)	Quality of material	Working Pressure (kgf/cm ²)
		High Pressure	Low Pressure	High Pressure	Low Pressure				
THP-2B	2300	2.3	31	12	44	20.5	10.5	Aluminium	700