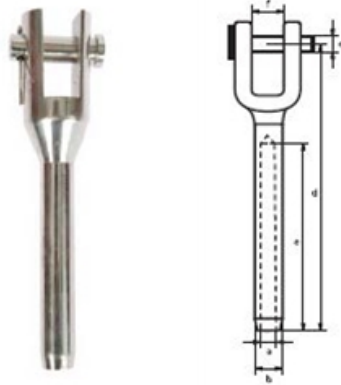


Stainless Steel Swage Jaw

- Material AISI 316.
- Polished finish.



Code	Wire Dia (mm)	a (mm)	b (mm)	c (mm)	d (mm)	e (mm)	f (mm)	Weight (kgs/100)
W0941	3	3.3	6.3	5.2	65	32	7.5	2
W0942	4	4.3	7.5	6.2	77	40	10	5
W0943	5	5.3	9	8.7	88	57	12	7
W0944	6	6.3	12.5	9.7	106	63	14	14
W0945	8	8.3	16	14.6	145	85	16	22
W0946	10	10.3	17.8	16.5	150	89	17	52