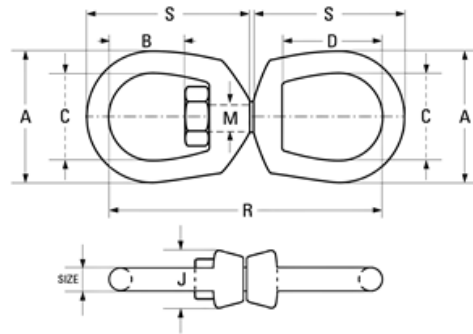


## C1045 GT Galvanized Eye - Eye Swivels

- C1045 High tensile steel.
- Meets the performance requirements of US Federal Specification RR-C-271D, Type VII, Class 2.
- Hot dipped galvanized.
- Safety factor 5:1



Code	Size (inch)	WLL lbs	A (mm)	B (mm)	C (mm)	D (mm)	J (mm)	M (mm)	R (mm)	S (mm)	Weight ea
R0501	1/4	850	31.8	17.5	19.1	26.9	17.5	7.85	74.5	42.9	0.10
R0502	5/16	1250	41.4	20.6	25.4	31.8	20.6	9.65	90.0	52.0	0.18
R0503	3/8	2250	51.0	23.9	31.8	38.1	25.4	12.7	109	63.5	0.32
R0504	1/2	3600	63.5	33.3	38.1	51.0	33.3	16.0	138	81.0	0.60
R0505	5/8	5200	76.0	39.5	44.5	60.5	38.1	19.1	167	98.5	1.13
R0506	3/4	7200	89.0	44.5	51.0	67.0	47.8	22.4	183	109	1.82
R0507	7/8	10000	102	52.0	57.0	77.5	54.0	25.4	213	127	2.83
-	1	12500	114	58.5	63.5	89.0	60.5	28.7	245	146	4.06
-	1 1/4	18000	143	68.5	79.5	93.5	76.0	41.4	291	172	7.42
-	1 1/2	45200	178	98.5	102	106	102	57.0	435	254	20.8