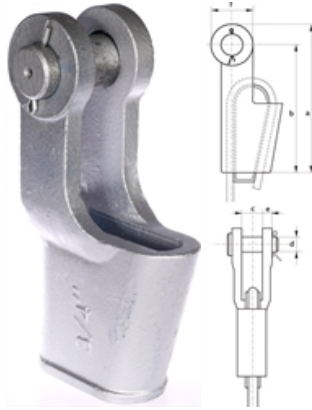


Cast Steel Open Wedge Socket

- High tensile steel GS 21 Mn5, cast basket and forged pin.
- Hot dipped galvanised finish as standard.
- Minimum breaking load is 5 times the W.L.L.
- Marked with size, manufacturers mark and ID mark.
- Larger sizes available upon request.
- Spare wedges can be supplied upon request.



Number	W.L.L tonnes	Wire Rope Dia (mm)	a (mm)	b (mm)	c (mm)	d (mm)	e (mm)	f (mm)	Weight (kgs)
0.25	1.25	7-8	129	110	18	16	9	36	0.8
0.5	2	9-10	165	142	21	20	11	46	1.7
1	3.2	11-13	174	146	25	25	12	57	2.1
2	5	14-16	211	176	31	30	15	70	4
3	6.3	18-19	252	212	38	35	16	80	7
4	8	20-22	288	240	44	41	19	95	10
5	12.6	24-26	329	274	51	51	22	110	15
6	16	27-29	375	310	57	57	25	130	21
7	20	30-32	423	350	63	64	28	146	31
8	20	34-36	474	400	69	64	28	148	37
9	25	37-39	527	450	76	70	30	153	51
10	32	40-42	580	500	76	76	33	160	64
11	40	43-48	643	550	89	89	39	186	96
12	50	49-52	737	640	101	95	46	194	130
13	64	54-58	775	660	114	108	54	230	180
14	80	60-68	960	835	127	121	60	250	275
15	90	72-76	1135	1000	146	133	76	270	440
16	100	81-86	1250	1100	159	140	79	300	510