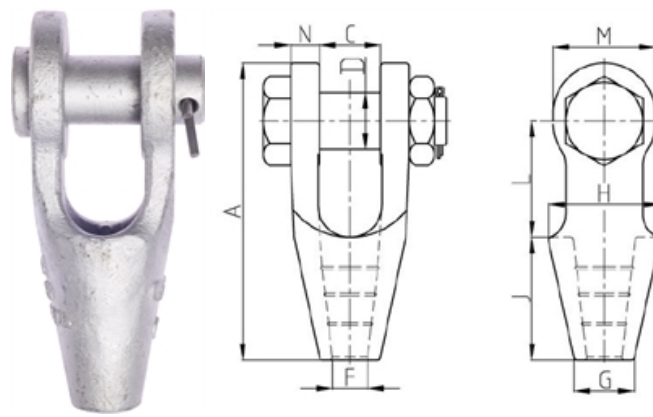


J & F Open Spelter Socket

- Galvanised finish.
- Sizes up to 1 1/8 " inclusive are produced with ZG 35 CrMo or ZG42 CrMo Steel.
- Sizes from 1 1/4" above are produced with ZG16Mn Steel.
- Can be supplied with MPI and Ultrasonic inspection reports if requested at time of manufacture.
- All cast steel sockets up to 1 1/8" have no grooves.
- All cast steel sockets from 1 1/4" above are supplied with grooves.



Code	Wire Rope Dia (mm)	Wire Rope Dia (inch)	M.B.L tonnes	A (mm)	C (mm)	D (mm)	F (mm)	G (mm)	H (mm)	J (mm)	L (mm)	M (mm)	N (mm)	Weight (kgs)
SOA-01	6-7	1/4	4.5	115.8	19.1	18.0	9.7	17.5	39.6	57.2	40.4	33.3	9.1	0.50
SOA-02	8-10	5/16-3/8	12.0	122.9	20.6	20.0	12.7	20.6	42.9	57.2	45.2	38.1	11.2	0.59
SOA-03	11-13	7/16-1/2	20.0	141.2	25.4	26.0	14.2	23.9	47.8	63.5	51.8	47.8	12.7	1.02
SOA-04	14-16	9/16-5/8	27.0	171.5	31.8	30.0	17.5	28.7	57.2	76.2	64.6	57.2	14.2	1.63
SOA-05	18	3/4	43.1	201.7	38.1	35.0	22.4	31.8	66.6	88.9	77.3	66.6	15.8	2.64
SOA-06	20-22	7/8	55.0	235.0	44.5	41.0	25.4	38.1	82.6	101.6	90.5	79.5	20.3	4.38
SOA-07	24-26	1	78.0	268.2	50.8	51.0	28.7	44.5	95.3	114.3	101.6	95.3	22.4	7.03
SOA-08	28-30	1-1/8	92.3	300.0	57.2	57.0	31.8	50.8	104.7	127.0	118.5	104.7	25.4	9.75
SOA-09	32-35	1-1/4-3/8	136.0	335.0	63.5	64.0	38.1	57.2	120.7	139.7	129.7	120.7	28.7	14.1
SOA-10	38	1-1/2	170.0	384.0	76.2	70.0	41.4	69.9	133.0	152.4	156.1	136.7	30.2	21.4
SOA-11	40-42	1-5/8	188.0	412.8	76.2	76.0	44.5	76.2	140.0	165.1	168.3	146.1	33.3	24.9
SOA-12	44-48	1-3/4-1-7/8	268.0	463.6	88.9	89.0	50.8	79.5	162.0	190.5	182.0	165.1	39.6	37.2
SOA-13	50-54	2-2-1/8	291.0	546.1	101.6	95.0	57.2	95.3	188.0	215.9	232.8	177.8	46.0	59.0
SOA-14	56-60	2-1/4-2-3/8	360.0	596.9	114.3	108.0	66.8	101.6	210.0	228.6	259.3	196.9	54.1	76.0
SOA-15	64-67	2-1/2-2-5/8	424.0	647.7	127.0	120.0	73.2	114.3	235.0	247.7	279.4	215.9	60.5	114.0
SOA-16	70-73	2-3/4-2-7/8	511.0	692.2	133.4	127.0	79.3	124.0	267.0	279.4	285.8	228.6	73.2	143.0
SOA-17	75-80	3-3-1/8	563.0	736.6	146.1	133.0	85.9	133.4	282.0	304.8	294.2	241.3	76.2	172.0
SOA-18	82-86	3-1/4-3-3/8	722.0	784.4	158.8	140.0	92.0	146.1	302.0	330.2	308.0	254.0	79.3	197.0
SOA-19	88-92	3-1/2-3-5/8	779.0	844.6	171.5	152.0	98.6	165.1	315.0	355.6	332.4	273.1	82.6	255.0
SOA-20	94-102	3-3/4-4	875.0	920.8	190.5	178.0	108.0	184.2	346.0	381.0	360.0	317.5	88.9	355.0

